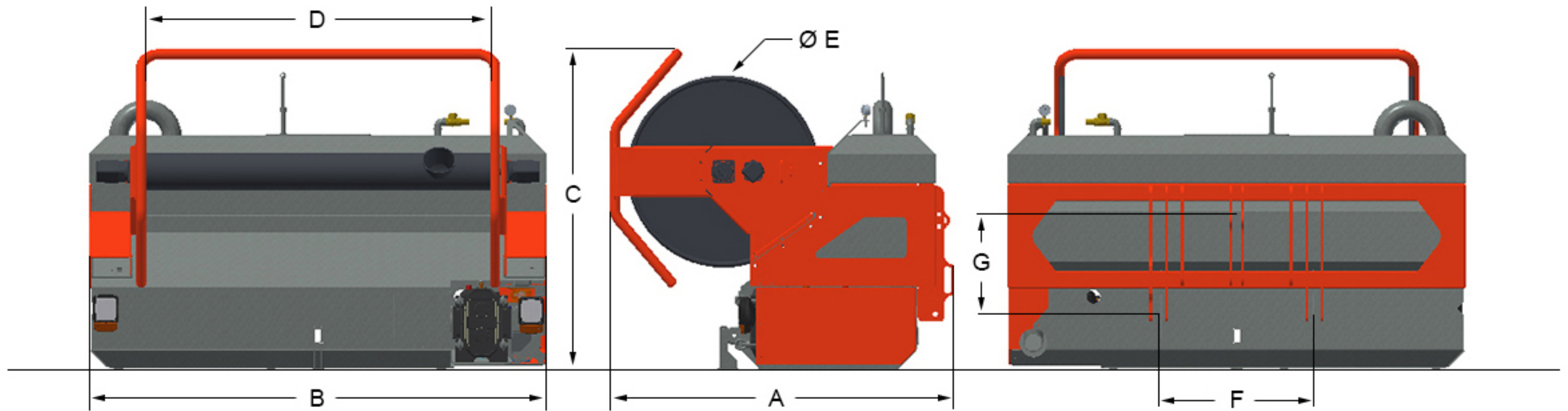


# COBRA FTH200



## DIMENSIONS

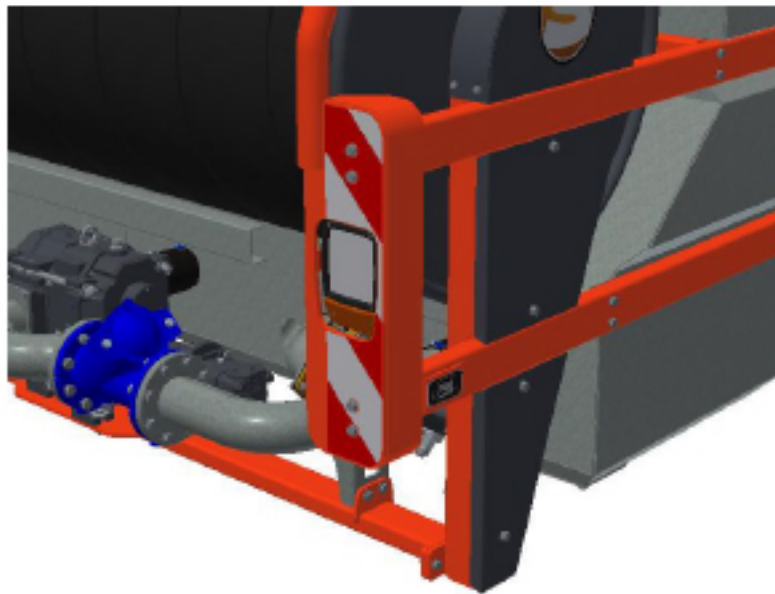
A	LENGTH	1970 MM	E	SPOOLDIAMETER	1100 MM
B	WIDTH	2630 MM	F	HITCH WIDTH	890 MM
C	HEIGHT	1840 MM	G	DISTANCE LIFT PIN – LINK PIN	500 - 570 MM
D	SPOOLWIDTH	1960 MM			

# COBRA FTH200

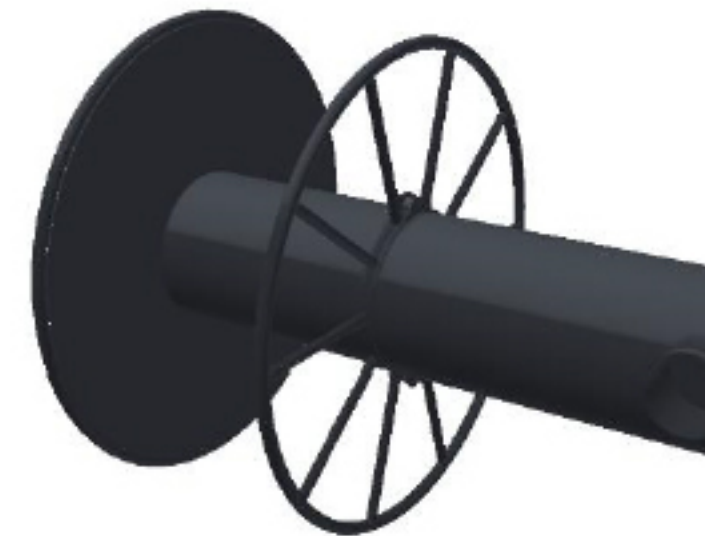
## MACHINE INFORMATION

TYPE	FTH200	TYPE PUMP	B.P. ROTARY LOBE PUMP – HYDR. DR.
WEIGHT	1414 KG	HYDR. POWER REQUIREMENT	100 LTR / 200BAR
HITCH TYPE	3 + 4 PUNTS CAT II	DRIVE SPOOLS	HYDR/CHAIN
HOSE CAPACITY	400 MTR. 4.5"	HYDRAULIC MOTORS/SPOOL	2X 2 OMS200
TANK VOLUME	2.200LTR	DRIVE PROTECTION	HYDR. OVER PRESSURE

## OPTIONS



FRONTLIGHTING



ADJUSTABLE PARTITION